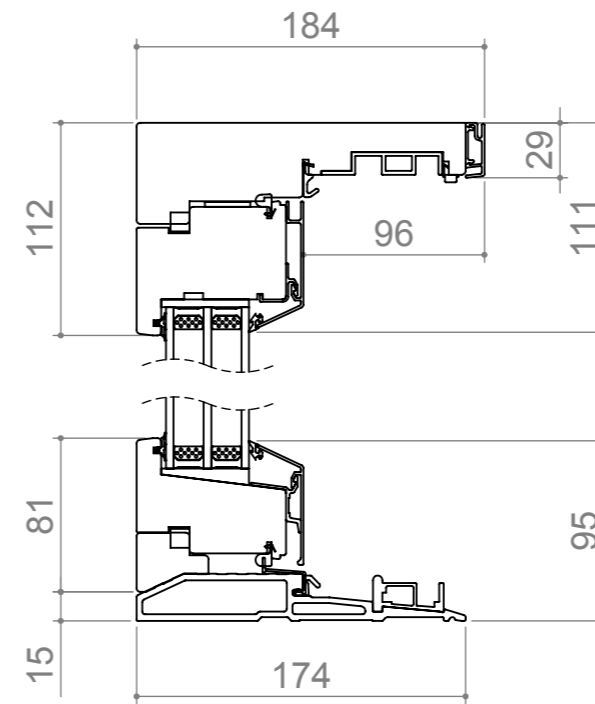
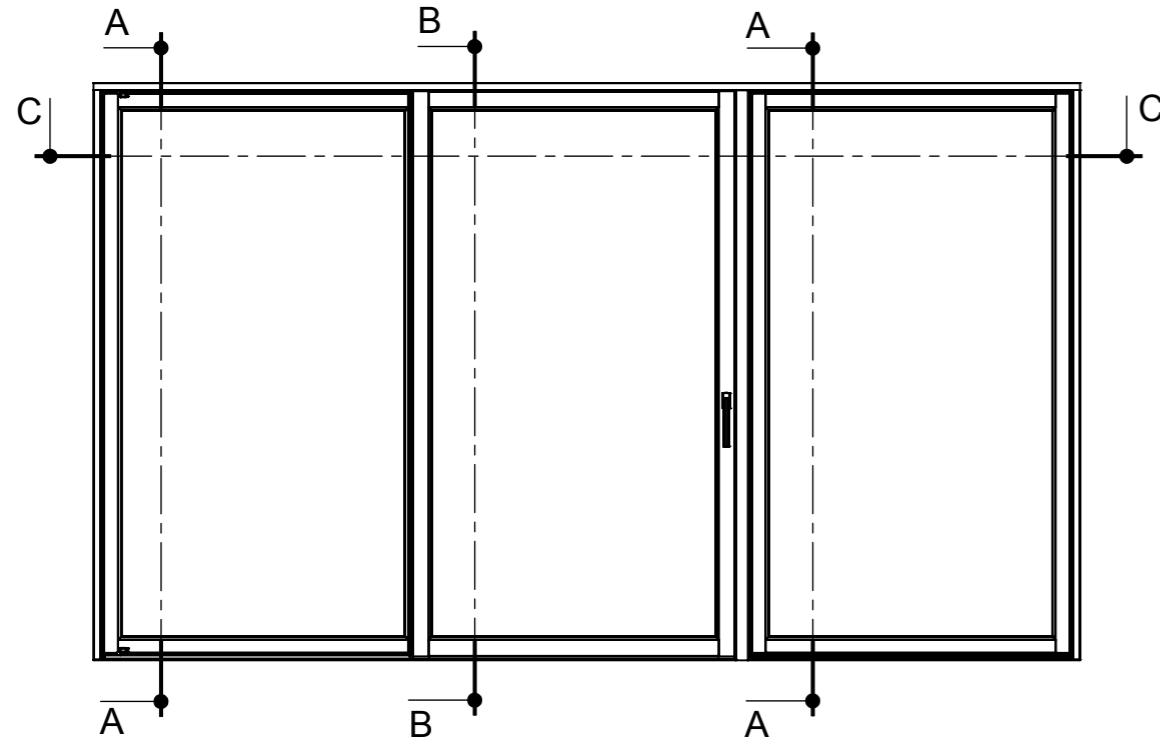
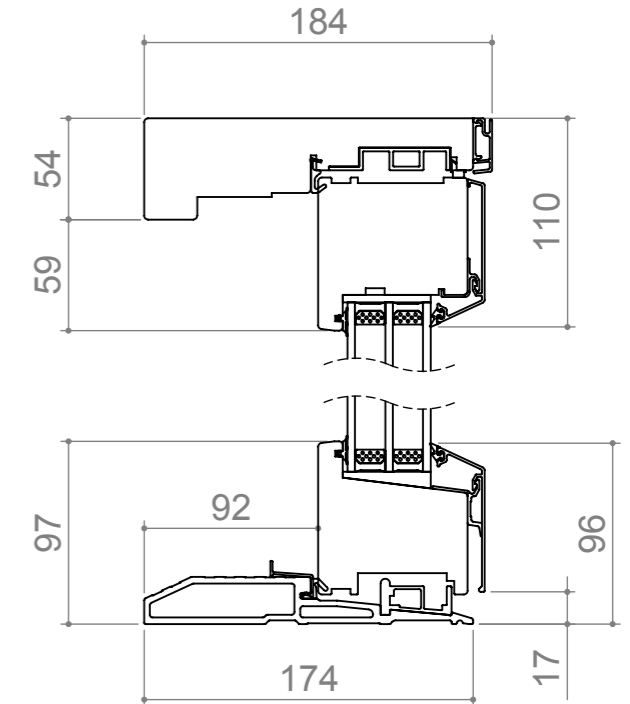


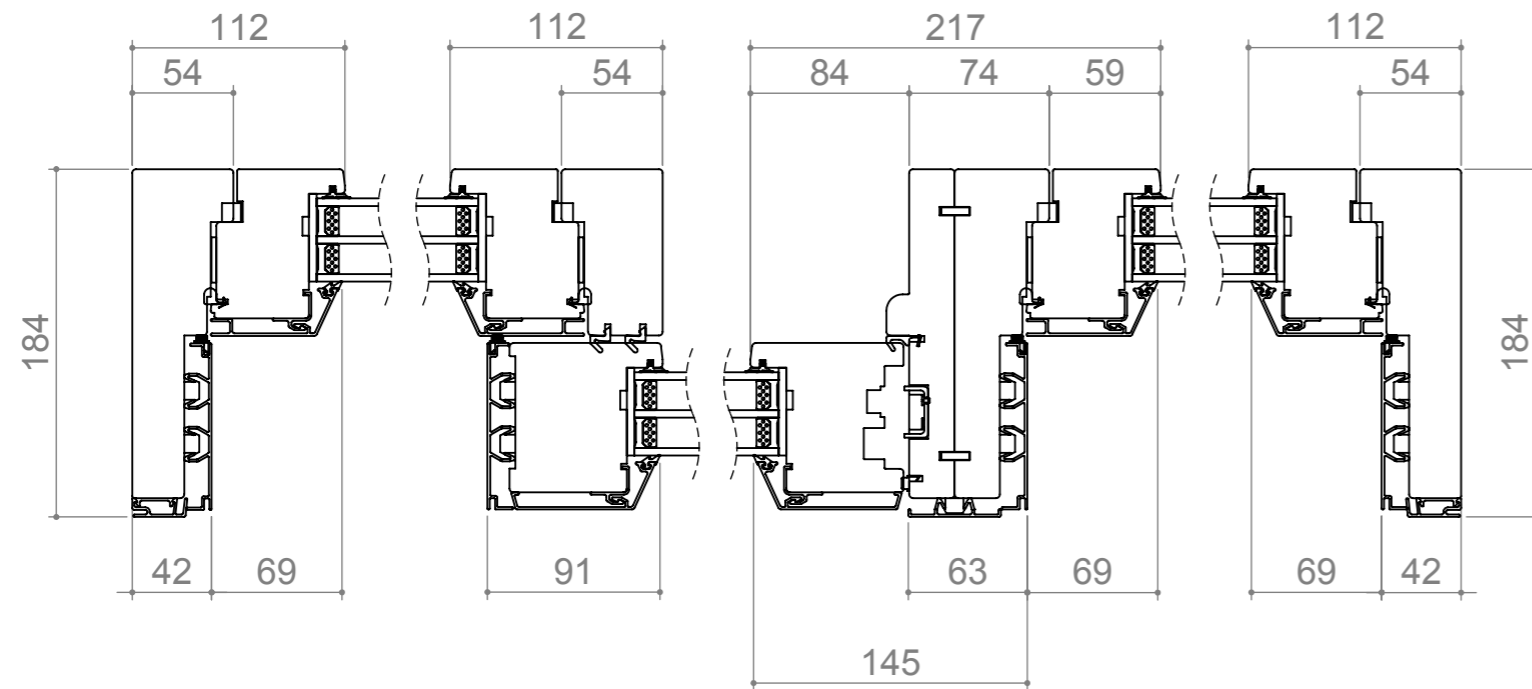
We reserve all rights in this document and in the information contained therein.
 Reproduction, use or disclosure to third parties without express authority is strictly forbidden.
 INWIDO




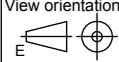
SECTION A-A



SECTION B-B



SECTION C-C

Product Category			
Door			
Product Type			
Sliding			
	Designed by	Designed date	 Scale 1:30
	Approved by	Approved date	
Pihla Pihla Varma Liukuovi G2 Type		Drawing Number	Revision
		178599_01	(A)