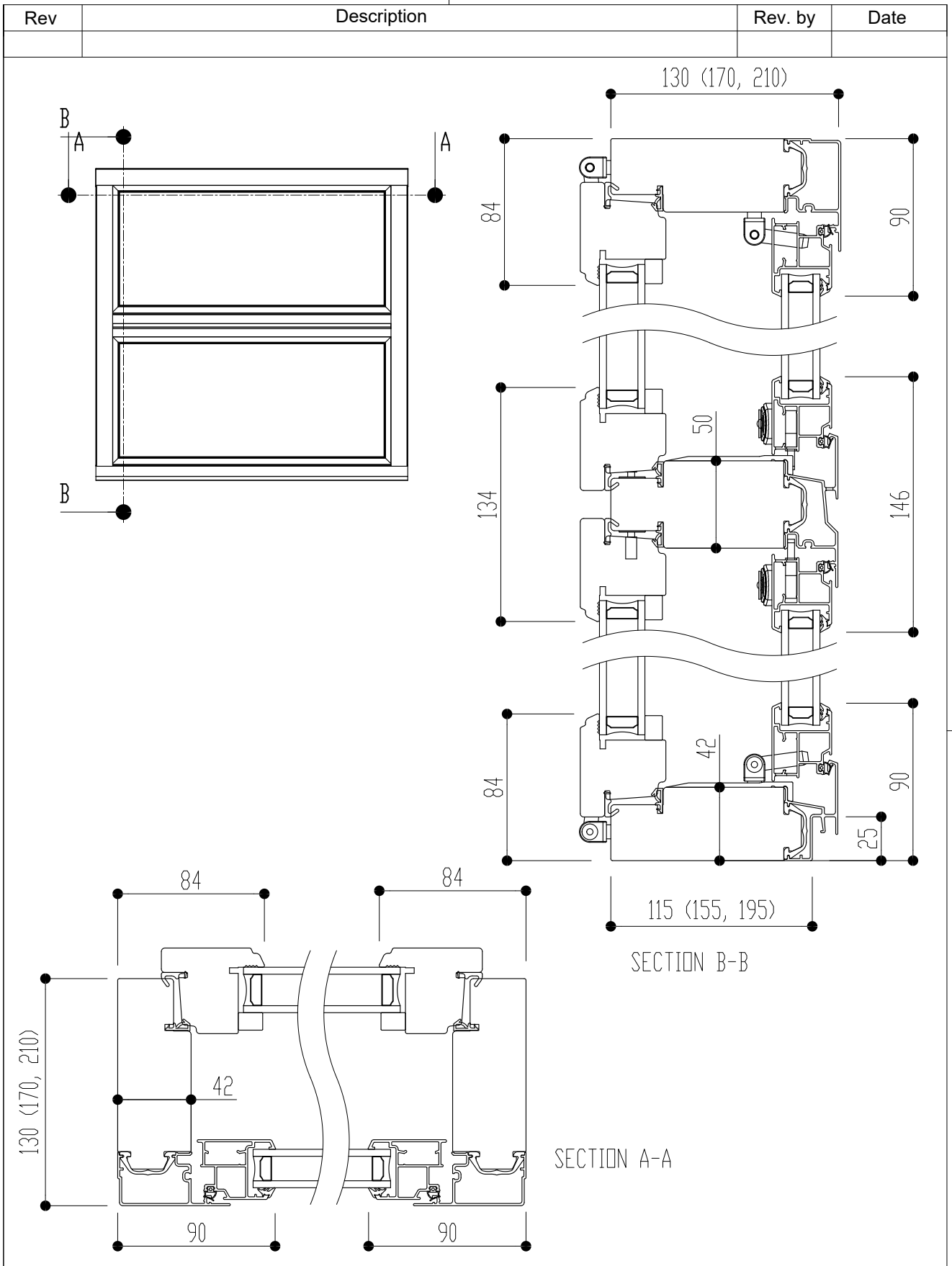

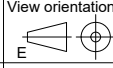


We reserve all rights in this document and in the information contained therein.
 Reproduction, use or disclosure to third parties without express authority is strictly forbidden.
 INWIDO



	Product Category	Window Inward		Product Type	Side Hung			
	Pihla Termo	Vaakavälikarmilla		Designed by	ML	Designed date	2016-07-01	
	MSE2A 2+2			Approved by	ML	Approved date	2016-07-01	
				Drawing Number	144679		View orientation	
					Scale		Revision	A