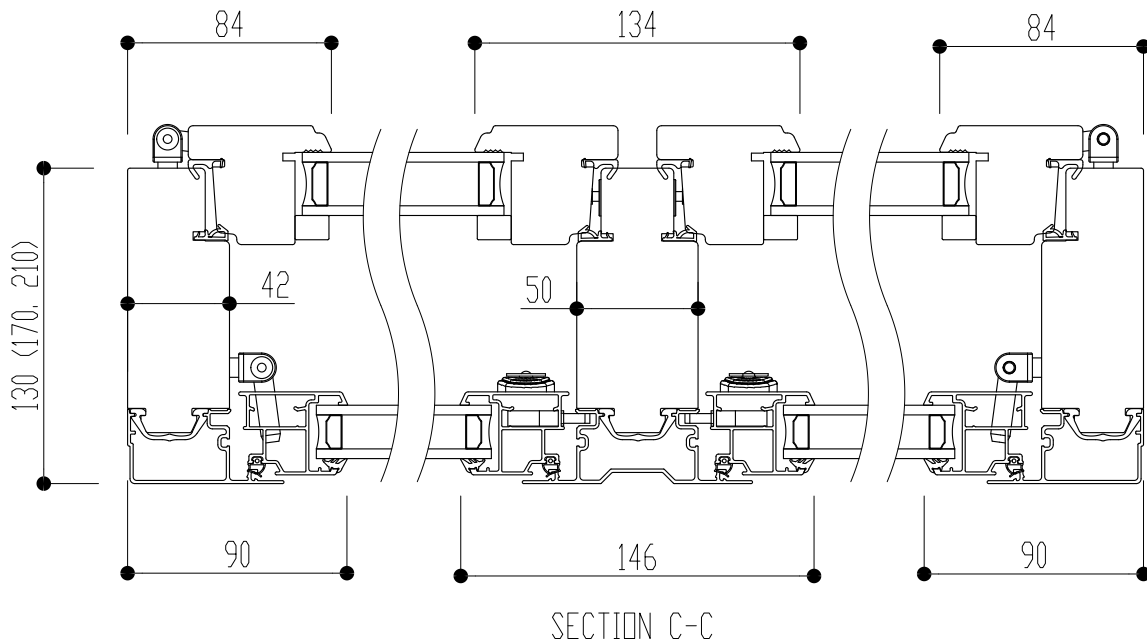
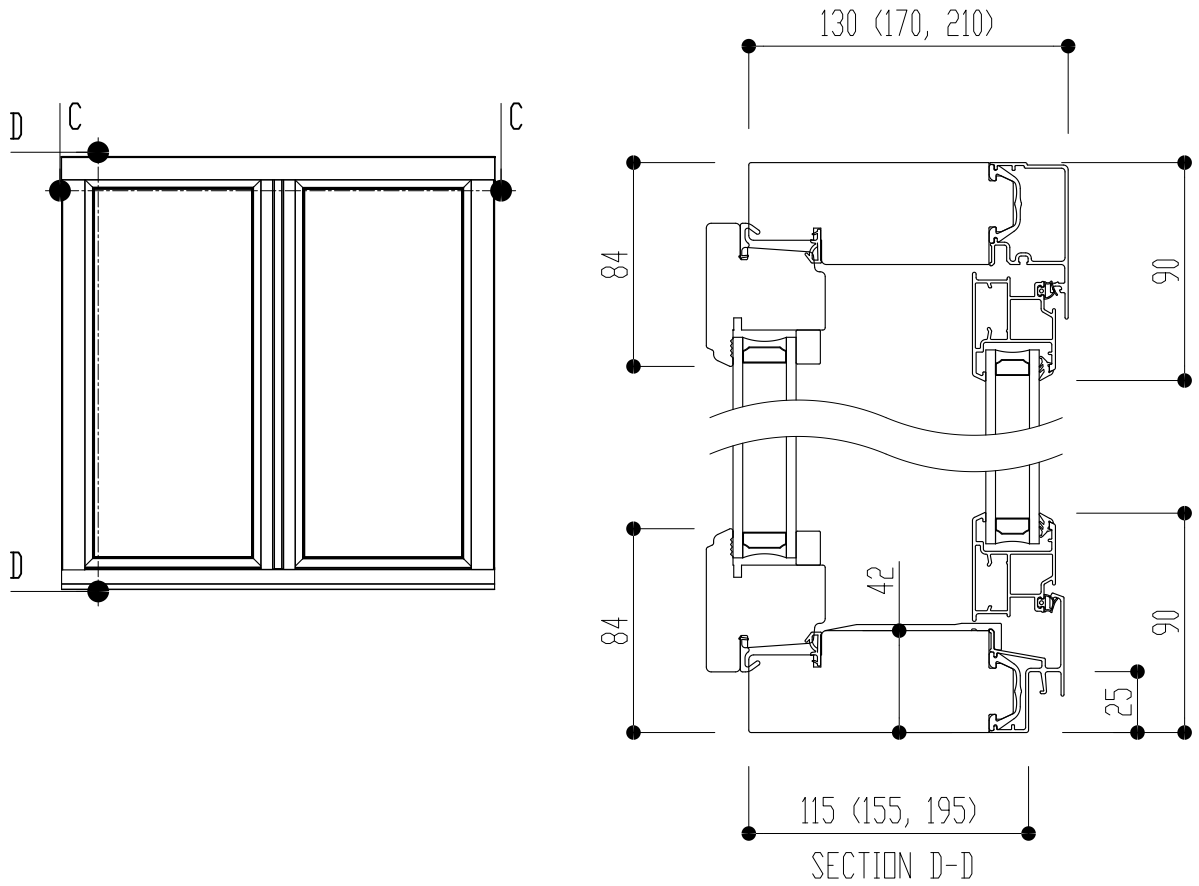

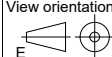


We reserve all rights in this document and in the information contained therein.
 Reproduction, use or disclosure to third parties without express authority is strictly forbidden.
 INWIDO

Rev	Description	Rev. by	Date



	Product Category	Window Inward		Product Type	Side Hung			
	Pihla Termo	Pystyväläkarmilla		Designed by	ML	Designed date	2016-07-01	View orientation 
	MSE2A 2+2			Approved by	ML	Approved date	2016-07-01	
					Drawing Number	144677		Revision