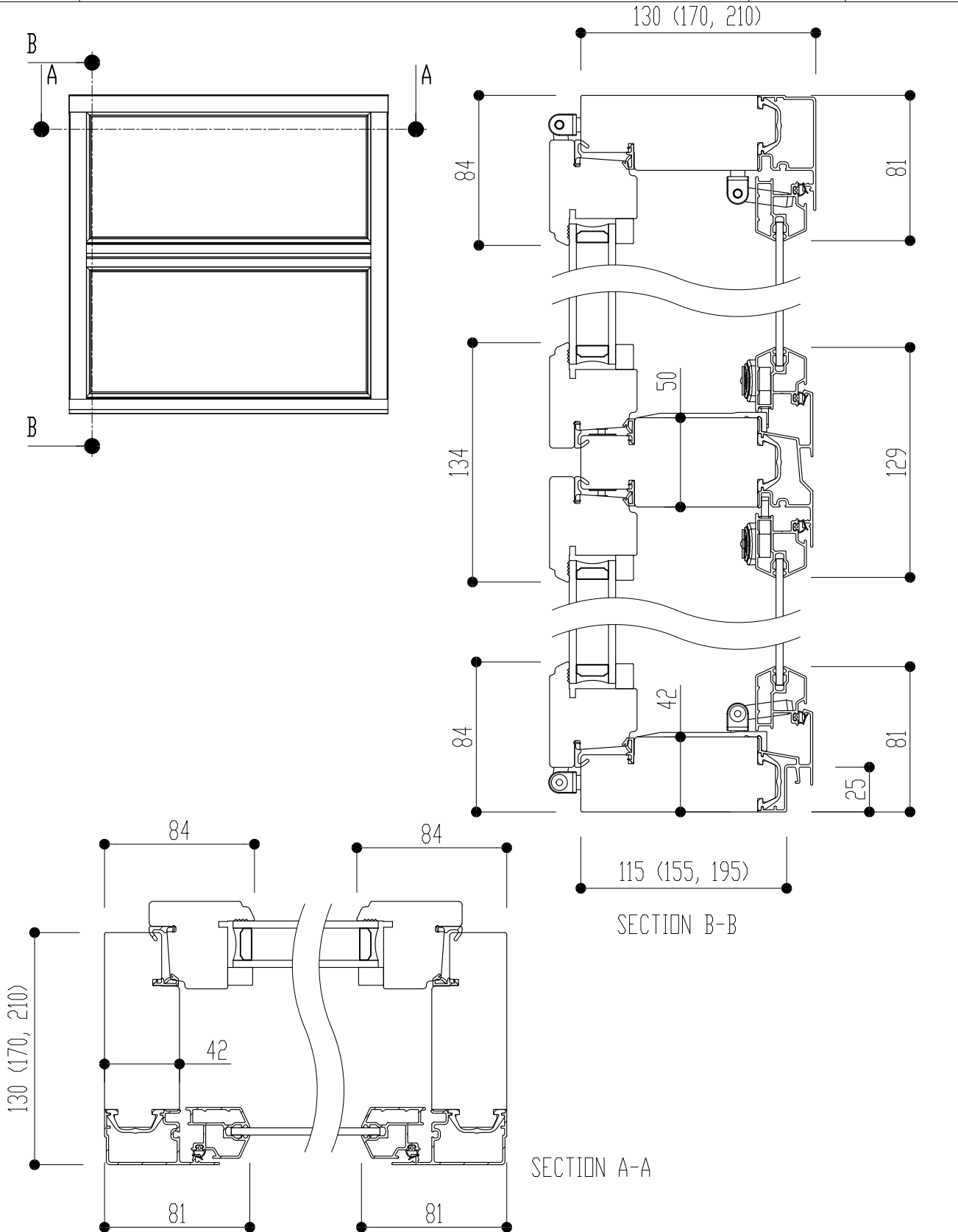


We reserve all rights in this document and in the information contained therein.
 Reproduction, use or disclosure to third parties without express authority is strictly forbidden.
 INWIDO

Rev	Description	Rev. by	Date



Product Category Window Inward	Product Type Side Hung		
	Designed by ML	Designed date 2016-06-30	View orientation
	Approved by ML	Approved date 2016-07-01	Scale
	Drawing Number 144584	Revision A	