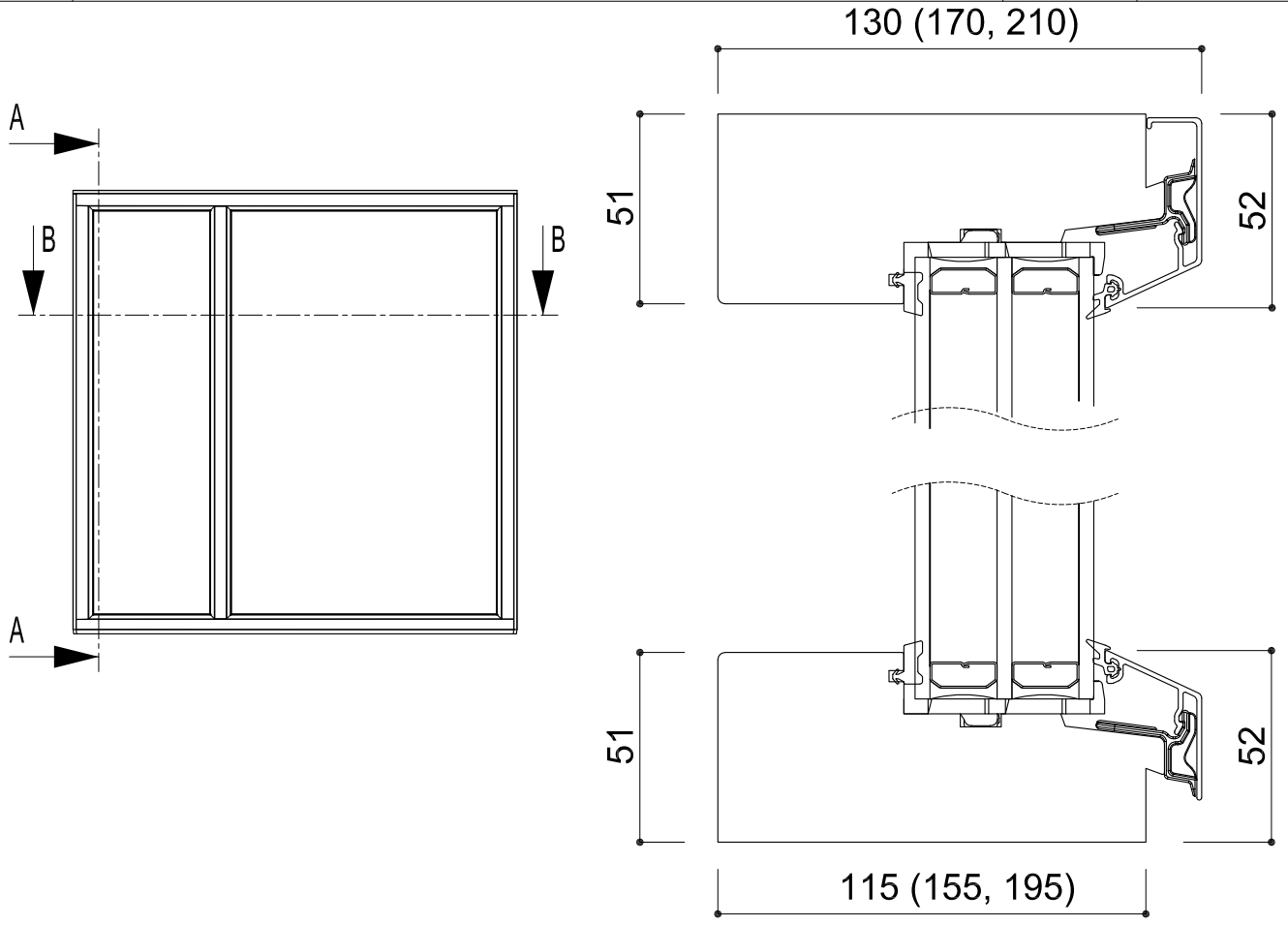
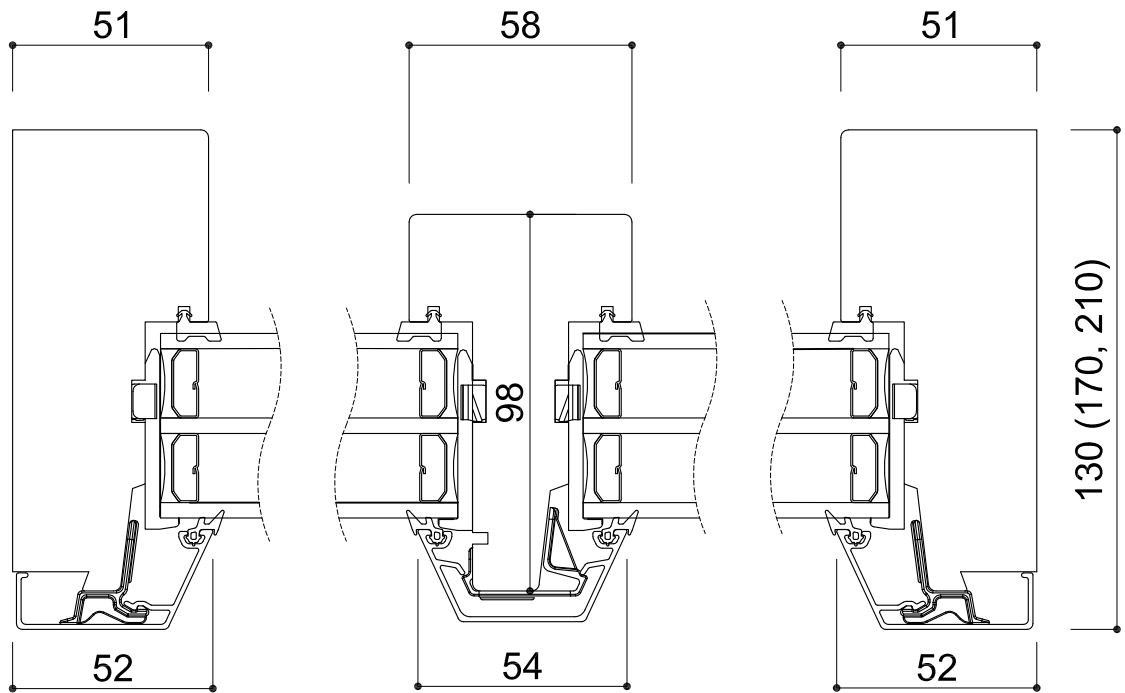


We reserve all rights in this document and in the information contained therein.
 Reproduction, use or disclosure to third parties without express authority is strictly forbidden.
 INWIDO

Rev	Description	Rev. by	Date
-----	-------------	---------	------



SECTION B-B



Product Category
Window Inward
 Kiinteä ikkuna
 Pystyvälikarmilla
 Fixed window

Product Type Fixed		View orientation
Designed by ML	Designed date 2016-07-01	Scale
Approved by ML	Approved date 2016-07-01	Revision A
Drawing Number 144715		