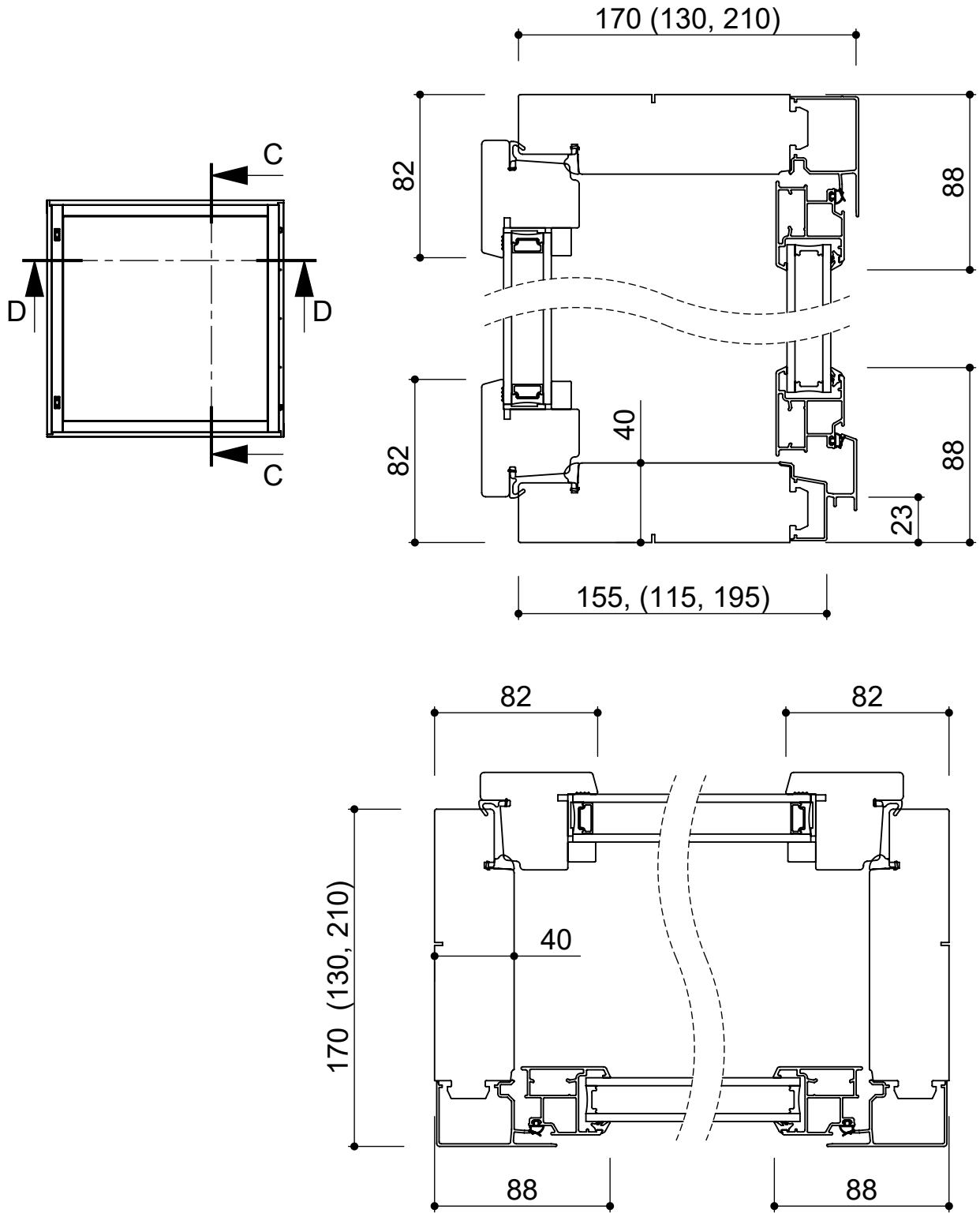


We reserve all rights in this document and in the information contained therein. Reproduction, use or disclosure to third parties without express authority is strictly forbidden. INWIDO

Rev.	ECM	Description	Rev. by	Date
------	-----	-------------	---------	------



Product Category	Window	Product Platform	MSEA - Inward Window
------------------	--------	------------------	----------------------

Product Type	Side Hung - Inward
--------------	--------------------

Designed by	Designed date	Approved by	Approved date	Processing Code	Material
ML	2021-04-22	ML	2021-04-22		

PIHLA GROUP OY	Pihla Termo S	Tolerances unless otherwise specified	View orientation
		Tol medium	
		Article Number	Scale
Drawing Number	Revision	214030-10 Termo SA	1:3