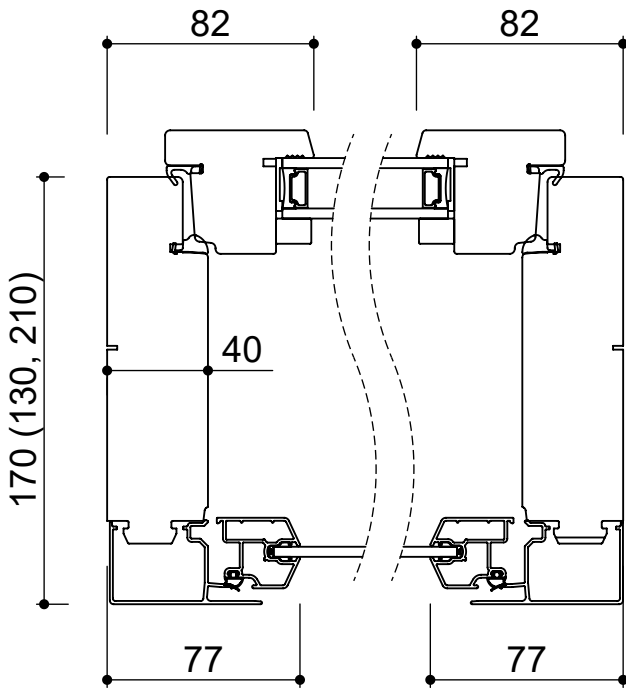
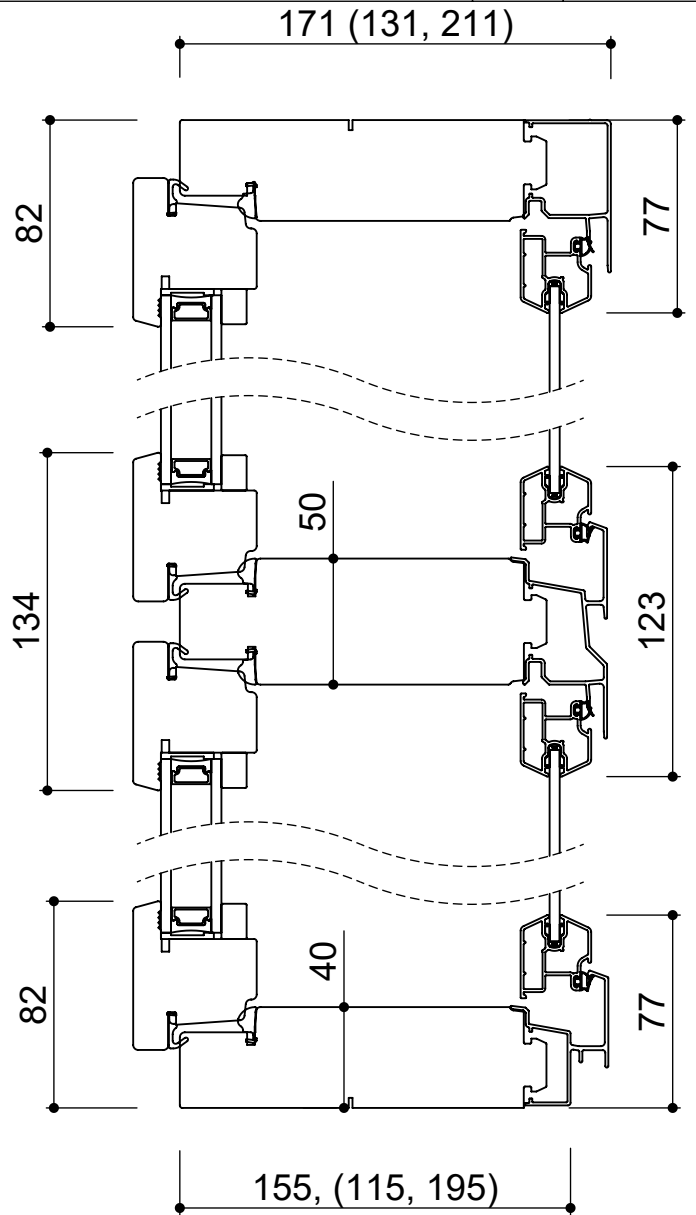
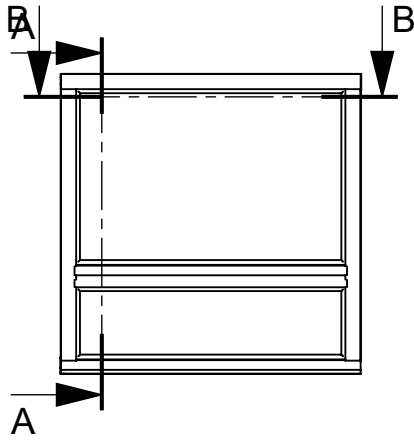


We reserve all rights in this document and in the information contained therein. Reproduction, use or disclosure to third parties without express authority is strictly forbidden. INWIDO

Rev.	ECM	Description	Rev. by	Date
------	-----	-------------	---------	------



Product Category		Product Platform		
Window		MSEA - Inward Window		
Product Type				
Side Hung - Inward				
Designed by	Designed date	Approved by	Approved date	Processing Code
ML	2021-04-22	ML	2021-04-22	
Material		Tolerances unless otherwise specified		
PIHLA GROUP OY		Tol medium		
Paihla Varma S		View orientation		
Vaakajakokarmi		E		
		Article Number		
		Scale		
		1:3		
		Drawing Number		
		Revision		
		211885-4 Varma S XVK		