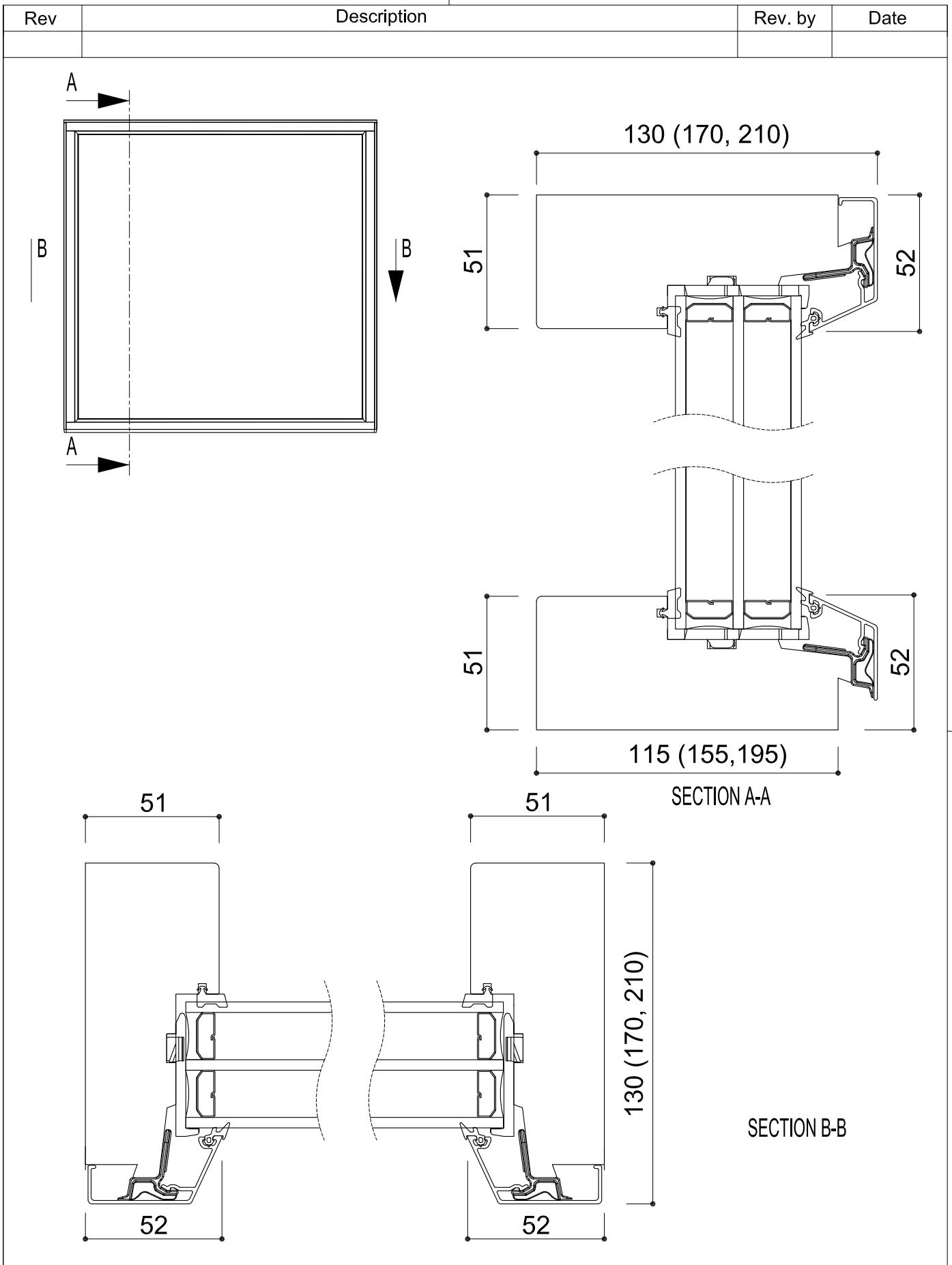

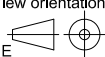


We reserve all rights in this document and in the information contained therein.  
 Reproduction, use or disclosure to third parties without express authority is strictly forbidden.  
 INWIDO



	Product Category	Window Inward		
		Kiinteä ikkuna		
		Fixed window		
	Product Type	Fixed		
	Designed by	Designed date	View orientation	
ML	2016-07-01			
Approved by	Approved date	Scale		
ML	2016-07-01	1:1		
Drawing Number	Revision			
144714	A			