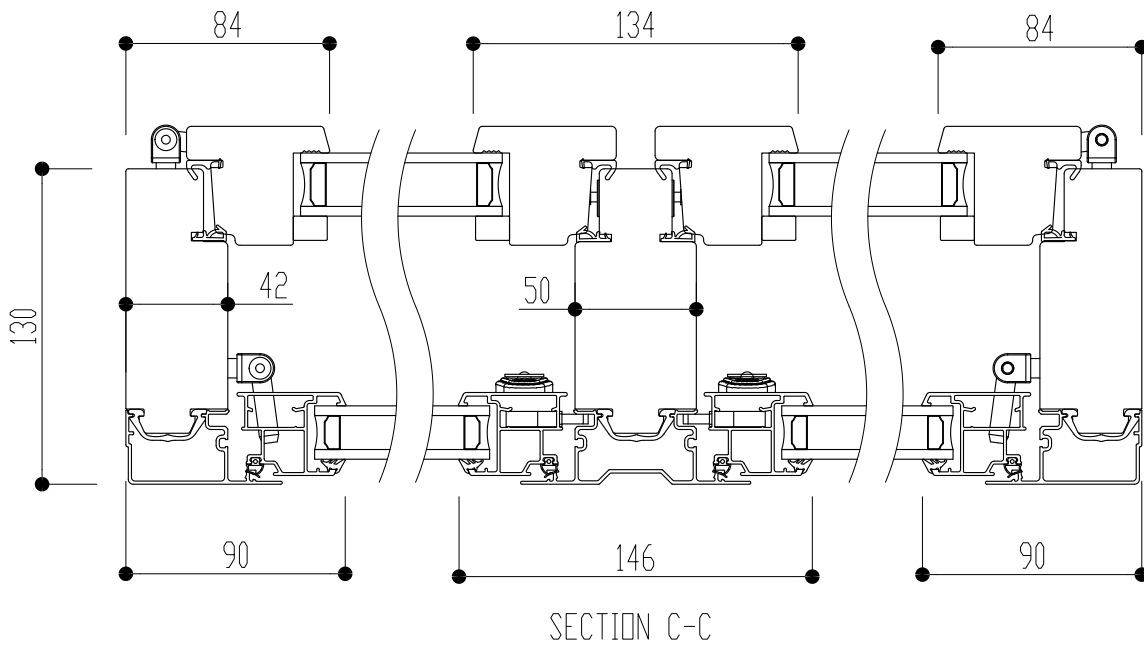
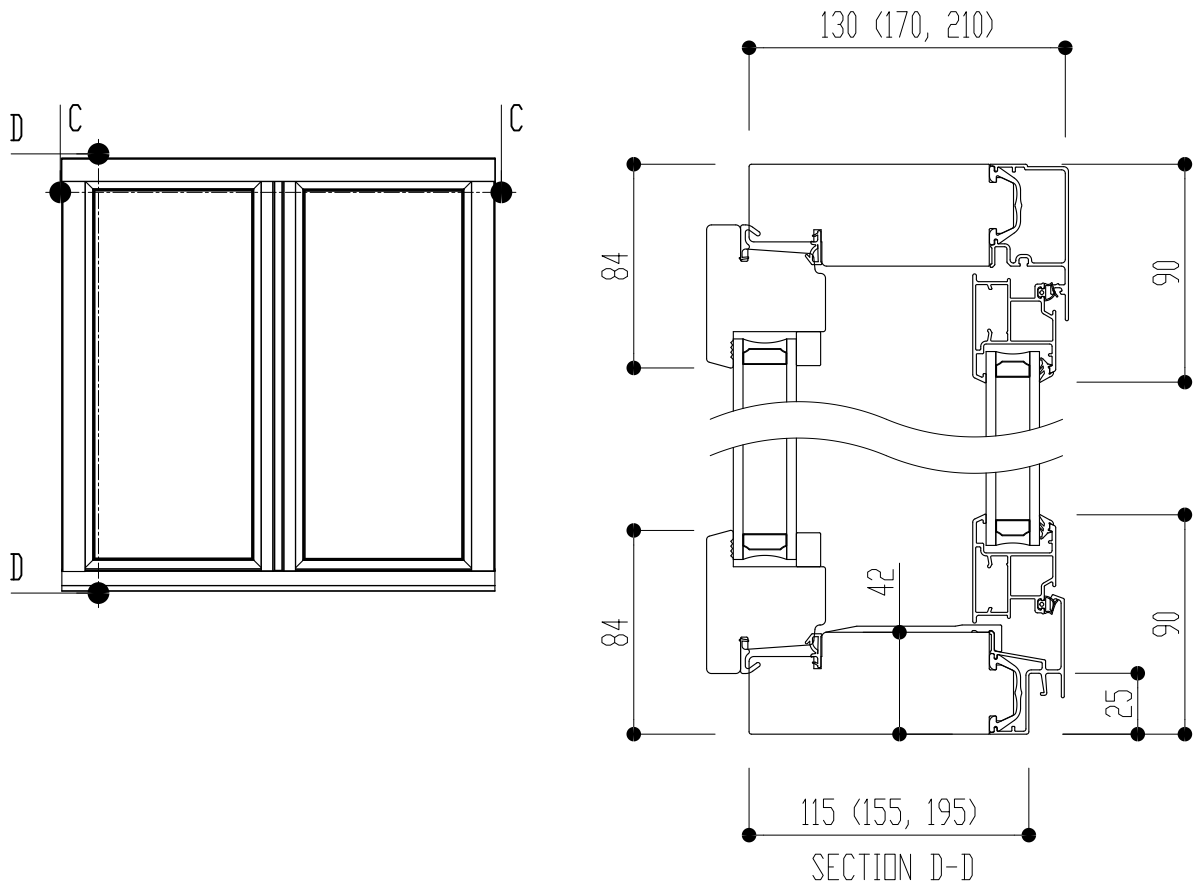

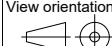


We reserve all rights in this document and in the information contained therein.
 Reproduction, use or disclosure to third parties without express authority is strictly forbidden.
 INWIDO

Rev	Description	Rev. by	Date



	Product Category	Window Inward		Product Type	Side Hung		
	Pihla Termo S	Designed by	ML	Designed date	2016-07-01	View orientation	
	Pystyväläkarmilla	Approved by	ML	Approved date	2016-07-01	Scale	
	MSE2A 2+2	Drawing Number	144676	Revision	A		